



US00D548805S

(12) **United States Design Patent**
Chuang et al.

(10) **Patent No.:** **US D548,805 S**

(45) **Date of Patent:** **** Aug. 14, 2007**

(54) **BELLOWS ACTION WATER GUN**

4,358,984 A 11/1982 Winblad
4,412,495 A 11/1983 Sankar

(75) Inventors: **Peter Chuang**, Placentia, CA (US);
George Eden, West Hollywood, CA
(US); **Kevin Hou**, ShenZhen (CN);
Francis Ponton, Bellflower, CA (US);
Chiu Wah Wong, Hong Kong (HK)

(Continued)

FOREIGN PATENT DOCUMENTS

GB 2145340 A 3/1985

OTHER PUBLICATIONS

Eleven (11) photographs and one (1) drawing (12 total pages) of a squirt gun prototype known to the applicants at the time of invention, dated 2004.

Primary Examiner—Holly H. Baynham

Assistant Examiner—Cynthia M. Chin

(74) *Attorney, Agent, or Firm*—Kolisch Hartwell, P.C.

(73) Assignee: **Mattel, Inc.**, El Segundo, CA (US)

(**) Term: **14 Years**

(21) Appl. No.: **29/245,855**

(22) Filed: **Dec. 28, 2005**

(30) **Foreign Application Priority Data**

Aug. 1, 2005 (EP) 000379961-0010
Aug. 1, 2005 (EP) 000379961-0011
Aug. 1, 2005 (EP) 000379961-0012
Aug. 1, 2005 (EP) 000379961-0009

(57) **CLAIM**

We claim the ornamental design for a bellows action water gun, as shown and described.

(51) **LOC (8) Cl.** **21-01**

(52) **U.S. Cl.** **D21/572**

(58) **Field of Classification Search** D21/567-575,
D21/451; D23/223, 225; 446/267, 473, 475;
222/78, 79; 239/211, 373; D14/418, 428,
D14/414; D22/100; 124/75

DESCRIPTION

FIG. 1 is a top-front perspective view of a bellows action water gun according to the present invention.

FIG. 2 is front view of the bellows action water gun of FIG. 1.

FIG. 3 is a back view of the bellows action water gun of FIG. 1.

FIG. 4 is a top view of the bellows action water gun of FIG. 1.

FIG. 5 is a bottom view of the bellows action water gun of FIG. 1; and,

FIG. 6 is a right side view of the bellows action water gun of FIG. 1, the left side view being a mirror image thereof. The broken lines shown in the drawings are for illustrative purposes only and form no part of the claimed design.

The shading lines shown in the drawing represent the three-dimensional contour of the design, and are not intended to indicate surface decoration.

Portions of the bellows action water gun that are not shown in the drawing(s) form no part of the claimed design.

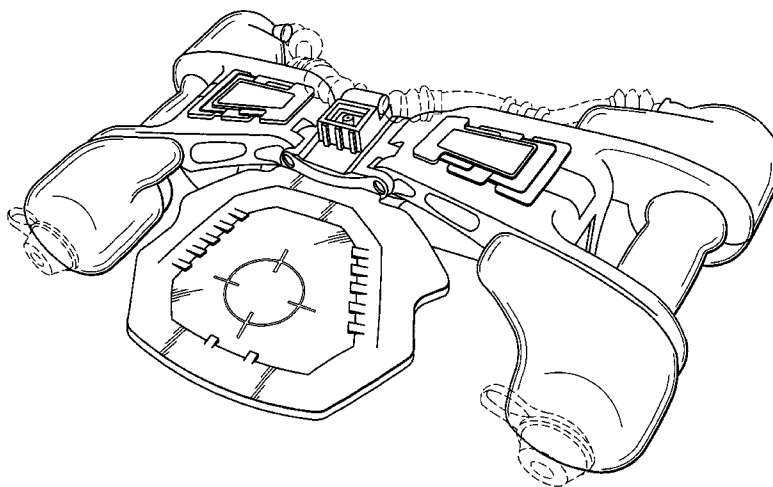
See application file for complete search history.

(56) **References Cited**

U.S. PATENT DOCUMENTS

295,013 A 3/1884 Hunter
391,397 A 10/1888 Berkeley
1,244,679 A 10/1917 Winn
1,279,930 A 9/1918 Stroud
1,290,606 A 1/1919 Lovas
2,306,708 A 12/1942 Mendel
3,038,483 A 6/1962 Altsheler
3,578,789 A 5/1971 Ferri
3,685,828 A 8/1972 Getgey et al.
3,828,478 A 8/1974 Bemis
4,040,622 A 8/1977 Sinnott
4,214,674 A 7/1980 Jones et al.

1 Claim, 5 Drawing Sheets



US D548,805 S

Page 2

U.S. PATENT DOCUMENTS

D271,896 S	*	12/1983	Wilkes	D21/451	5,598,950 A	2/1997	Liu et al.		
4,573,975 A		3/1986	Frist et al.		5,605,253 A	2/1997	Luk		
4,815,822 A		3/1989	Bramhall		5,611,460 A	3/1997	Rudell		
5,029,732 A		7/1991	Wong		5,641,934 A	6/1997	Follett		
5,042,819 A		8/1991	LaFata		5,823,849 A	10/1998	Gardner et al.		
D321,732 S	*	11/1991	Furst	D21/451	5,865,438 A	2/1999	Zilliox		
5,102,052 A		4/1992	Demarest et al.		D422,322 S	*	4/2000	Wei	D21/451
D331,609 S		12/1992	LaFata		D427,600 S	*	7/2000	Probstel et al.	D14/414
5,241,944 A		9/1993	Rappaport		6,224,457 B1	*	5/2001	Wu	446/473
5,288,231 A		2/1994	Kuehn et al.		6,312,364 B1		11/2001	Selsam	
5,332,120 A		7/1994	D'Andrade et al.		6,631,830 B2	*	10/2003	Ma et al.	222/79
D354,531 S	*	1/1995	Appel et al.	D21/572	6,730,004 B2		5/2004	Selsam	
5,377,656 A		1/1995	Lewinski et al.		D521,574 S	*	5/2006	McBride et al.	D21/572
5,411,269 A		5/1995	Thomas		2002/0132557 A1	*	9/2002	Yu	446/475

* cited by examiner

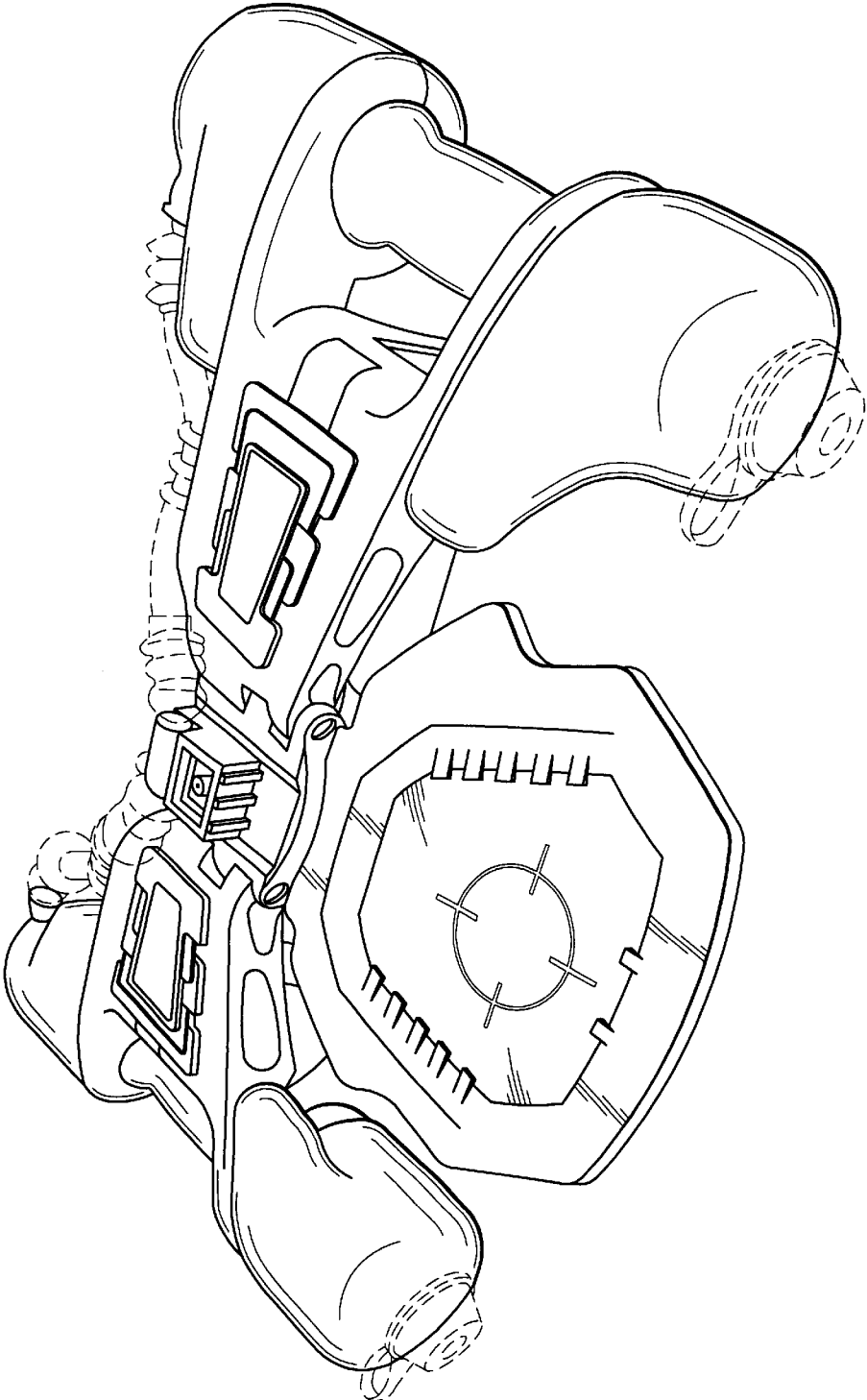


FIG. 1

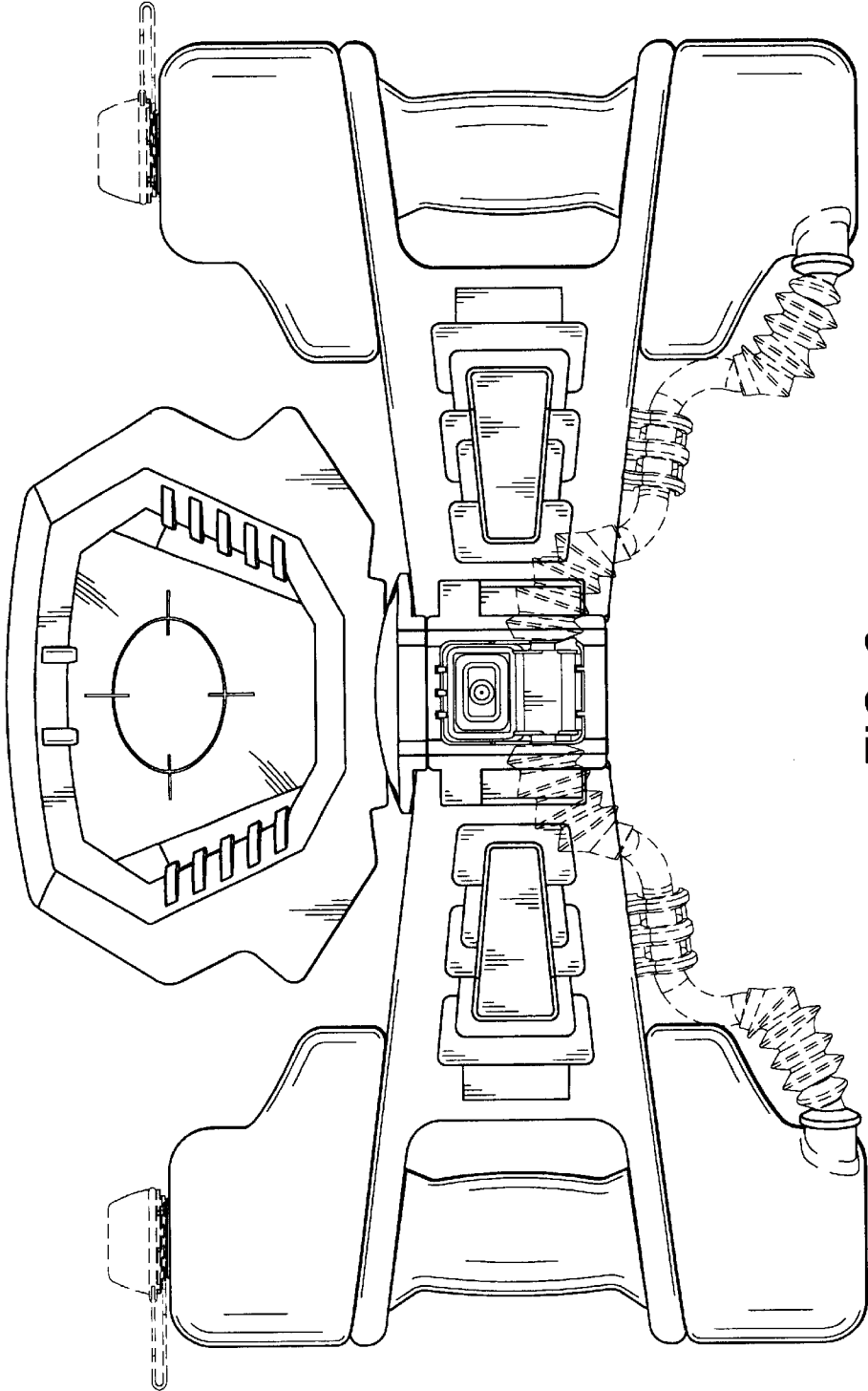


FIG. 2

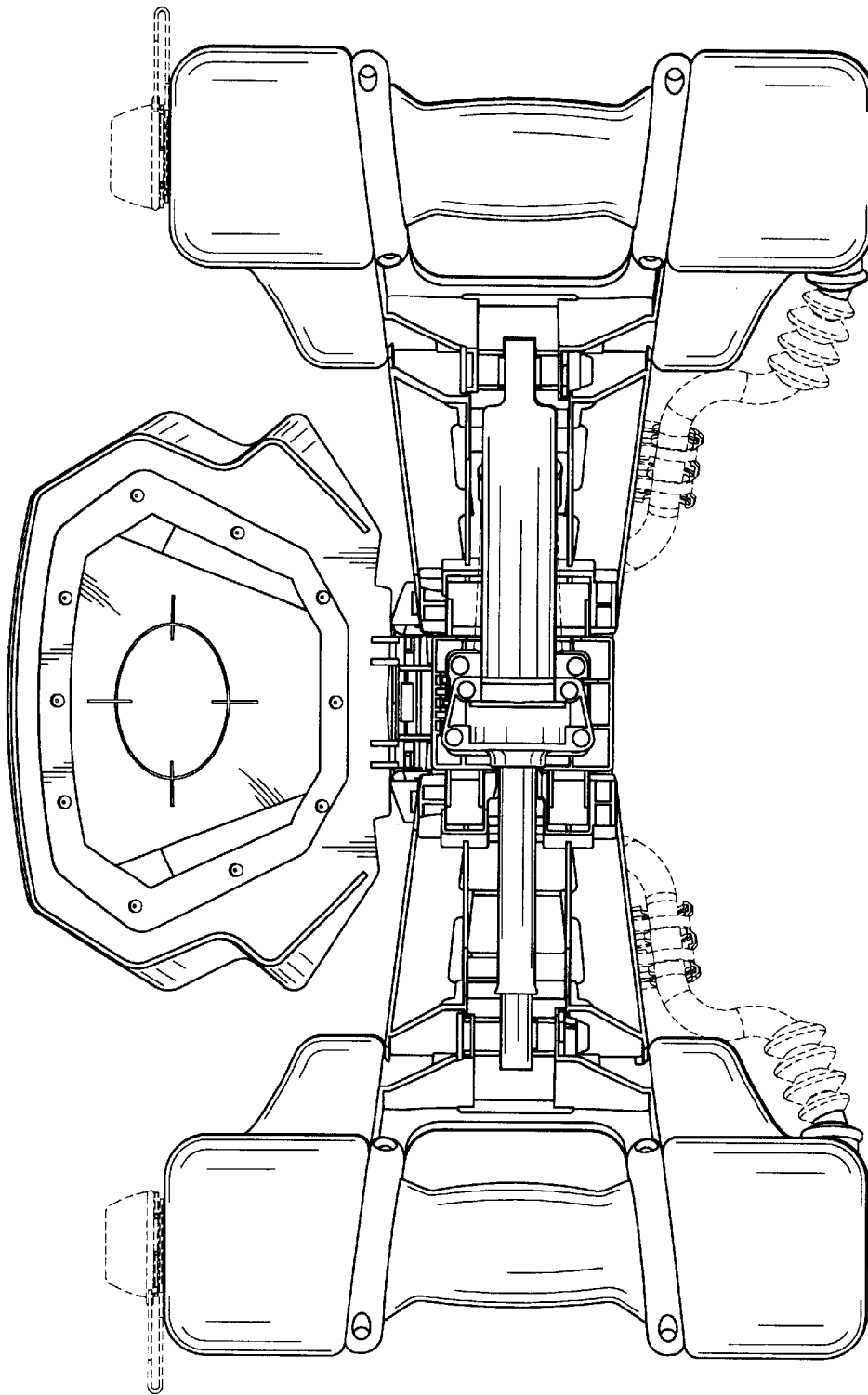


FIG. 3

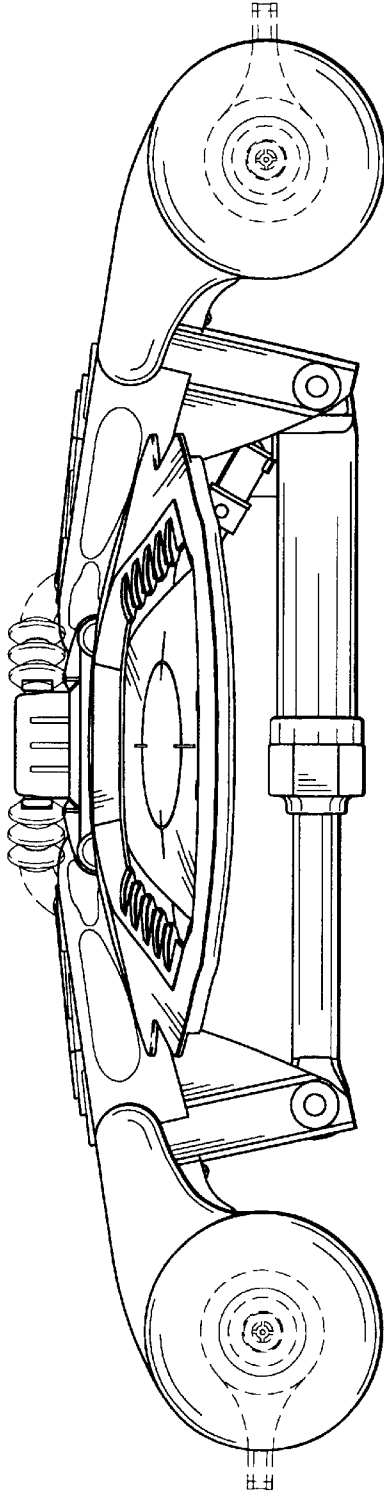


FIG. 4

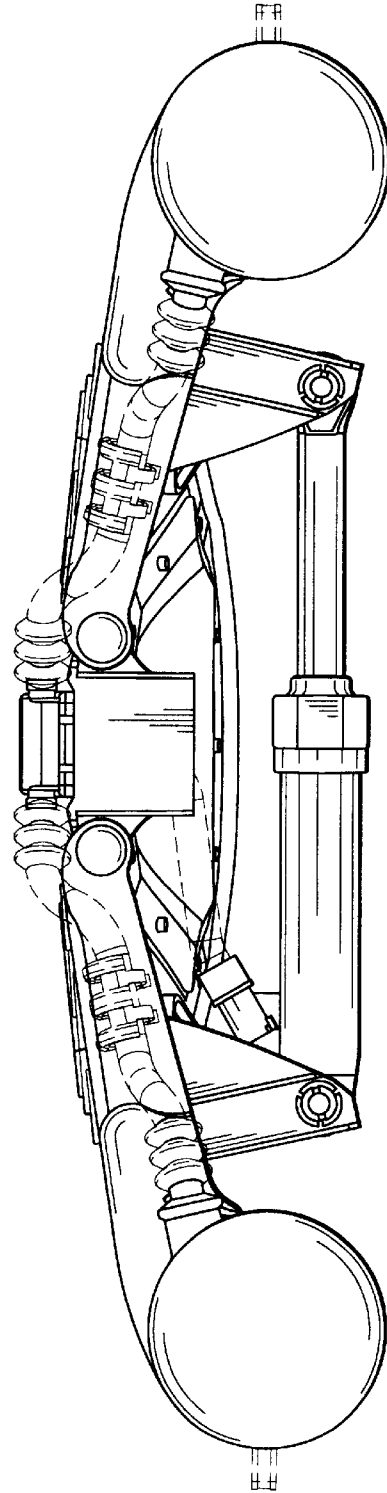


FIG. 5

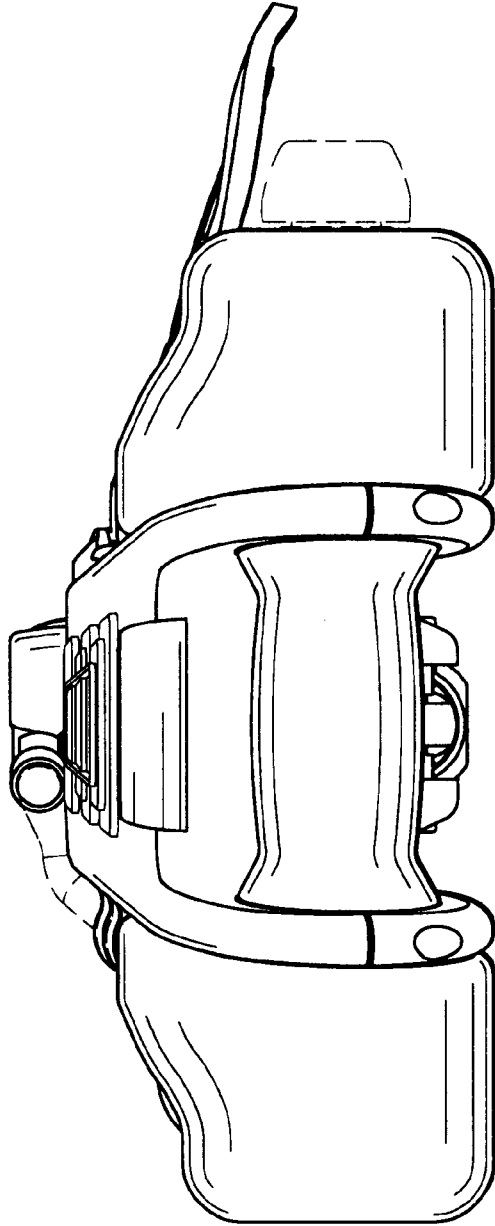


FIG. 6